

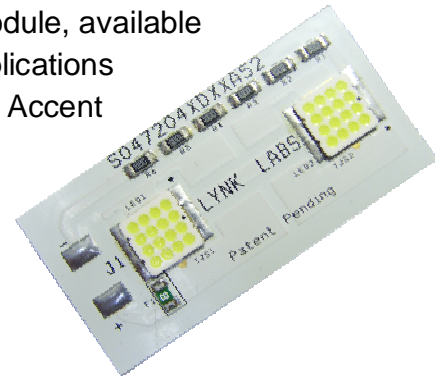


# SnapBrite™ – S047 120V

# Data Sheet

## S047XXK-120R 2 or 4 W, 120V RMS RLD LED Module

The SnapBrite S047 is a linear 120V Rectified Line Drive (RLD) module, available as a 2 or 4 W light engine. The S047 can be used in numerous applications including; General Lighting, Cove Lighting, Under Cabinet Lighting, Accent Lighting, Display Lighting and more. Key benefits for this product include:



- **Significant Energy Savings.**
- **Compatible line voltage connection using an RL BriteDriver**
- **Dimmable – Works with most existing AC Dimmers.**
- **Long Operating Life – over 50,000 hours if used as specified!**

### • Electro-Optical Characteristics

| Model Number | CCT   | VAC              | Power  | Lumen | lm/W |
|--------------|-------|------------------|--------|-------|------|
| S04723K-120R | 3000K | 120R VAC Maximum | 2 Watt | 100   | 50   |
| S04724K-120R | 4000K | 120R VAC Maximum | 2 Watt | 108   | 54   |
| S04725K-120R | 5000K | 120R VAC Maximum | 2 Watt | 120   | 60   |
| S04743K-120R | 3000K | 120R VAC Maximum | 4 Watt | 210   | 55   |
| S04744K-120R | 4000K | 120R VAC Maximum | 4 Watt | 220   | 60   |
| S04745K-120R | 5000K | 120R VAC Maximum | 4 Watt | 240   | 70   |

LPW data is based on system efficiency @ 120 VAC using a RL BriteDriver line drive module. Values based on  $T_a = 25^\circ\text{C}$  &  $T_j = 70^\circ\text{C}$ .

### • Operating Characteristics (single Lamp)

| Characteristic     | S047XXK-120R   |
|--------------------|--|
| Drive Voltage      | Minimum = 65 VAC, Maximum = 120 VAC                  |
| Thermal Management | T-Junction Maximum = $70^\circ\text{C}$              |
| Viewing Angle      | $140^\circ$  |
| CCT Options (W-C)  | 3000K, 4000K, 5000K per ANSI_NEMA_ANSLG C78.377-2008 |
| CRI Options (W-C)  | Standard = 85, High = 92                             |





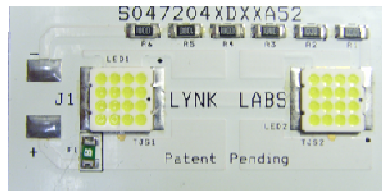
• **Powering Specifications**

| Power Supply/Driver | Output RMS  | Frequency | Minimum Load | Dimming |
|---------------------|-------------|-----------|--------------|---------|
| RL BriteDriver™     | 120V RMS DC | 60 Hz     | 1 Watt       | Input   |

**Warning – Do Not Power S047 with more than 120RV AC.** Use only with Lynk Labs' RL BriteDriver™ RLD LED Power Supplies. Any Exceptions Void all warranties. Contact Lynk Labs for details and approvals.

• **Dimensions – Single S047 module.**

| S047XXK-120R        | Length | Width | Height |
|---------------------|--------|-------|--------|
| Size in Millimeters | 47 mm  | 24 mm | 3 mm   |



• **Part Numbering**

Module Dimension (047 = 47mm long)

Power (2 = 2 Watt)

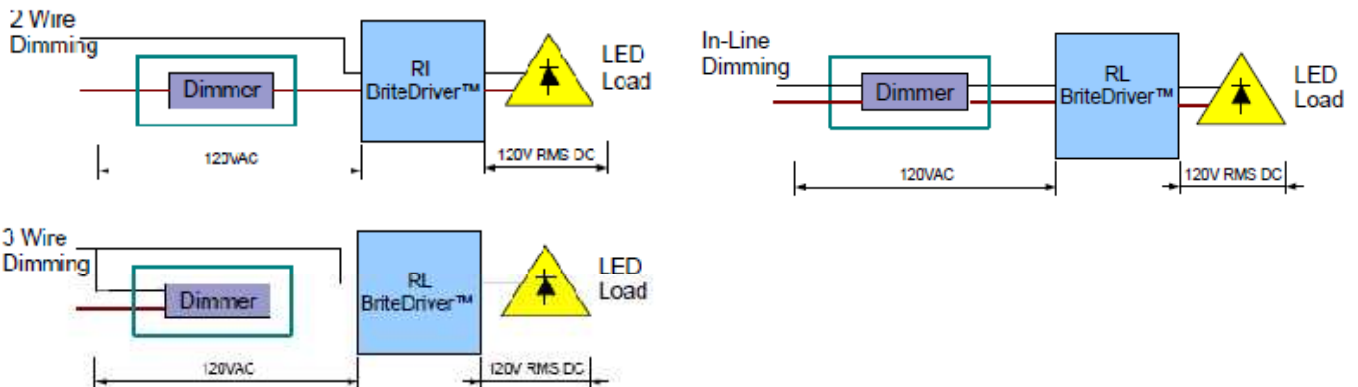
CCT (3K, 4K, 5K)

Product Line (S = SnapBrite™)

Voltage (120RR = 120 RMS DC)

**S0472XK-120R**

• **Typical Dimmer Configurations**



• **Pricing, Availability and Ordering information is available from Lynk Labs at:**  
 Telephone; 847-783-0123, Email; [sales@lynklabs.com](mailto:sales@lynklabs.com), Web; [www.lynklabs.com](http://www.lynklabs.com)

