



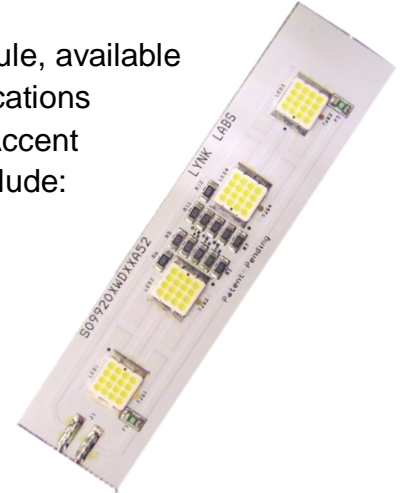
# SnapBrite™ – S099 120V

# Data Sheet

## S099XXK-120R 4 or 8 W, 120V RMS RLD LED Module

The SnapBrite S099 is a linear 120V Rectified Line Drive (RLD) module, available as a 4 or 8 W light engine. The S099 can be used in numerous applications including; General Lighting, Cove Lighting, Under Cabinet Lighting, Accent Lighting, Display Lighting and more. Key benefits for this product include:

- **Significant Energy Savings.**
- **Compatible line voltage connection using an RL BriteDriver**
- **Dimmable – Works with most existing AC Dimmers.**
- **Long Operating Life – over 50,000 hours if used as specified!**



### • Electro-Optical Characteristics

Model Number	CCT	VAC	Power	Lumen	lm/W
S09943K-120R	3000K	120R VAC Maximum	4 Watt	200	50
S09944K-120R	4000K	120R VAC Maximum	4 Watt	216	54
S09945K-120R	5000K	120R VAC Maximum	4 Watt	240	60
S09983K-120R	3000K	120R VAC Maximum	8 Watt	420	55
S09984K-120R	4000K	120R VAC Maximum	8 Watt	440	60
S09985K-120R	5000K	120R VAC Maximum	8 Watt	480	70

LPW data is based on system efficiency @ 120 VAC using a RL BriteDriver line drive module. Values based on  $T_a = 25^\circ\text{C}$  &  $T_j = 70^\circ\text{C}$ .

### • Operating Characteristics (single Lamp)

Characteristic	S099XXK-120R
Drive Voltage	Minimum = 65 VAC, Maximum = 120 VAC
Thermal Management	T-Junction Maximum = $70^\circ\text{C}$
Viewing Angle	$140^\circ$
CCT Options (W-C)	3000K, 4000K, 5000K per ANSI_NEMA_ANSI C78.377-2008
CRI Options (W-C)	Standard = 85, High = 92





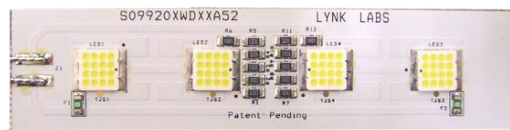
• **Powering Specifications**

Power Supply/Driver	Output RMS	Frequency	Minimum Load	Dimming
RL BriteDriver™	120V RMS DC	60 Hz	1 Watt	Input

**Warning – Do Not Power S099 with more than 120RV AC.** Use only with Lynk Labs' RL BriteDriver™ RLD LED Power Supplies. Any Exceptions Void all warranties. Contact Lynk Labs for details and approvals.

• **Dimensions – Single S099 module.**

S099XXK-120R	Length	Width	Height
Size in Millimeters	99 mm	24 mm	3 mm



• **Part Numbering**

Module Dimension (099 = 99mm long)

Power (2 = 2 Watt)

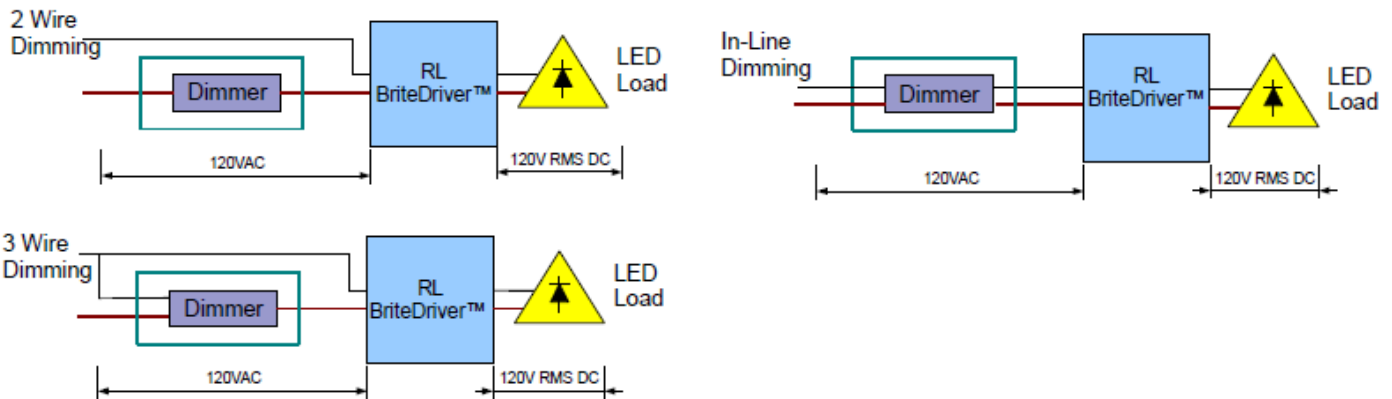
CCT (3K, 4K, 5K)

Product Line (S = SnapBrite™)

Voltage (120RR = 120 RMS DC)

**S0992XK-120R**

• **Typical Dimmer Configurations**



• **Pricing, Availability and Ordering information is available from Lynk Labs at:** Telephone; 847-783-0123, Email; [sales@lynklabs.com](mailto:sales@lynklabs.com), Web; [www.lynklabs.com](http://www.lynklabs.com)

