

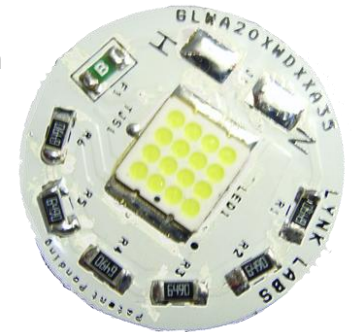


SnapBrite™ – SR26 120V

Data Sheet

SR26XWXK-120R 1 or 2 W, 120V RMS RLD LED Puck Module

The SnapBrite SR26 is a round 120V Rectified Line Drive (RLD) puck module, available as a 1 or 2 W light engine. The SR26 can be used in numerous applications including; General Lighting, Recessed Lighting, Under Cabinet Lighting, Accent Lighting, Display Lighting and more. Key benefits for this product include:



- **Significant Energy Savings.**
- **Compatible line voltage connection using an RL BriteDriver**
- **Dimmable – Works with most existing AC Dimmers.**
- **Long Operating Life – over 50,000 hours if used as specified!**

• Electro-Optical Characteristics

Model Number	CCT	VAC	Power	Lumen	lm/W
SR261W3K-120R	3000K	120R VAC Maximum	1 Watt	50	50
SR261W4K-120R	4000K	120R VAC Maximum	1 Watt	54	54
SR261W5K-120R	5000K	120R VAC Maximum	1 Watt	60	60
SR262W3K-120R	3000K	120R VAC Maximum	2 Watt	110	55
SR262W4K-120R	4000K	120R VAC Maximum	2 Watt	120	60
SR262W5K-120R	5000K	120R VAC Maximum	2 Watt	140	70

LPW data is based on system efficiency @ 120 VAC using a RL BriteDriver line drive module.
Values based on $T_a = 25^\circ\text{C}$ & $T_j = 70^\circ\text{C}$.

• Operating Characteristics (single Lamp)

Characteristic	SR26XWXK-120R
Drive Voltage	Minimum = 65 VAC, Maximum = 120 VAC
Thermal Management	T-Junction Maximum = 70°C
Viewing Angle	140°
CCT Options (W-C)	3000K, 4000K, 5000K per ANSI_NEMA_ANSI C78.377-2008
CRI Options (W-C)	Standard = 85, High = 92



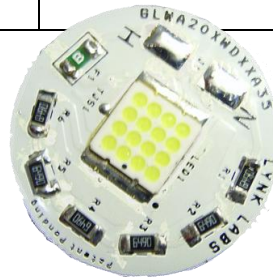
• **Powering Specifications**

Power Supply/Driver	Output RMS	Frequency	Minimum Load	Dimming
RL BriteDriver™	120V RMS DC	60 Hz	1 Watt	Input

Warning – Do Not Power SR26 with more than 120RV AC. Use only with Lynk Labs' RL BriteDriver™ RLD LED Power Supplies. Any Exceptions Void all warranties. Contact Lynk Labs for details and approvals.

• **Dimensions – Single SR26 module.**

SR26XWXK-120R	Diameter	Height
Size in Millimeters	26 mm	3 mm



• **Part Numbering**

Module Dimension (R26 = 26mm dia)

Power (2 = 2 Watt)

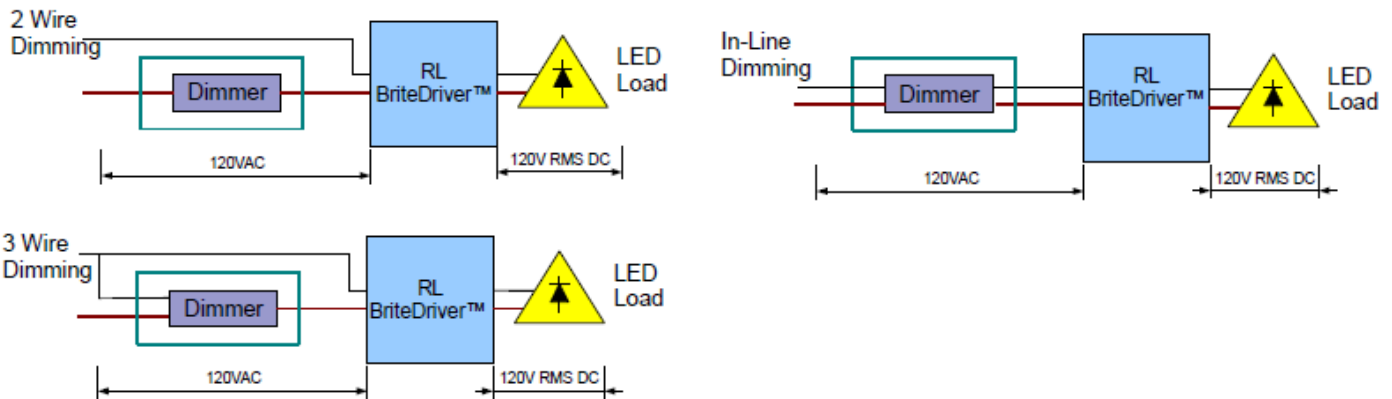
CCT (3K, 4K, 5K)

Product Line (S = SnapBrite™)

Voltage (120RR = 120 RMS DC)

SR262XK-120R

• **Typical Dimmer Configurations**



• **Pricing, Availability and Ordering information is available from Lynk Labs at:** Telephone; 847-783-0123, Email; sales@lynklabs.com, Web; www.lynklabs.com

