



# BriteDriver® – BD60W-100V/12V

# Data Sheet

## BD60W-100V/12V

## 60W 12V AC-LED Driver

**BriteDriver®** technology is a patented AC-LED driver/power supply technology used to drive LEDs with AC at high frequencies. Based on the LED lighting application, a BriteDriver® driver may be an on-board or off-board driver or power supply.

In many cases, Lynk Labs AC-LED modules have on board drive solutions allowing for drop-in Plug n' Play into an existing AC power sources such as high voltage 100V AC mains or existing low voltage AC lighting transformers .

BriteDriver® drivers are high efficiency power supplies that deliver more power output per watt in a significantly smaller package than any available DC LED power supply - and at lower cost.

With BriteDriver® power supplies, LED product integration is made easier by enabling product designers, architects or contractors to integrate a power supply as they have before with other lighting products.

Unlike constant current DC systems, BriteDriver® and Lynk Labs other AC LED products significantly increase product and system reliability since the modules cannot be over driven if one or more LEDs fail.

### BriteDriver® Product Features:

- High Reliability
- Moisture Resistant
- Emits No Audible Noise
- Low Harmonic Distortion
- High Power Factor
- Lightweight, Compact Design
- Small Case Size
- Dimmable






## Operating Characteristics:

<b>BriteDriver®</b>	
<b>Drive Voltage</b>	11.7 V AC (RMS)
<b>Drive Frequency</b>	44Khz inverter square wave, 100/120 Hz sinewave envelope
<b>Max case temp</b>	90 ° C
<b>Minimum Starting Temp</b>	-30° C
<b>Sound rating</b>	A +
<b>Operating Humidity</b>	95% relative humidity, non-condensating
<b>Safety Listing</b>	Class P Type 1 outdoor

## Electrical/Mechanical Specifications:

<b>Input</b>	100VAC - 50/60 Hz	<b>Output</b>	11.7 ± 0.3 V AC 0.52 A 50/60 Hz
<b>Enclosure Material</b>	Aluminum	<b>Weight</b>	2.4 oz.
<b>Power Factor</b>	> 0.95	<b>Operating Frequency</b>	44 KHz
<b>Total Harmonic Distortion</b>	≤ 20%	<b>Safety Standard</b>	 CLASS 2
<b>Input Leads</b>	6", 18AWG stranded, (BLK/WHT) 105 ° C stripped 3/8" tinned	<b>Output Leads</b>	6", 18AWG stranded (RED) 105 degree C stripped 3/8" tinned

## Important Product Attributes:

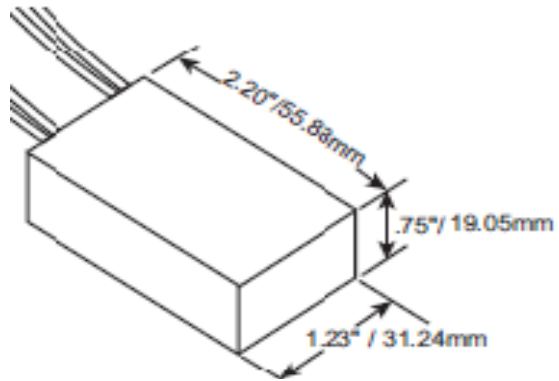
**Soft Start Circuitry:** BriteDriver® utilizes a soft start circuit to reduce stress on LEDs. The soft start circuit ramps up the LED voltage slowly to avoid current overshoot.

**Dimmable:** Compatible with many commercially available phase cut dimmers – including **Lutron Maestro (MAELV-600) Diva (DVELV-300P, Skylark (SELV-300P)**

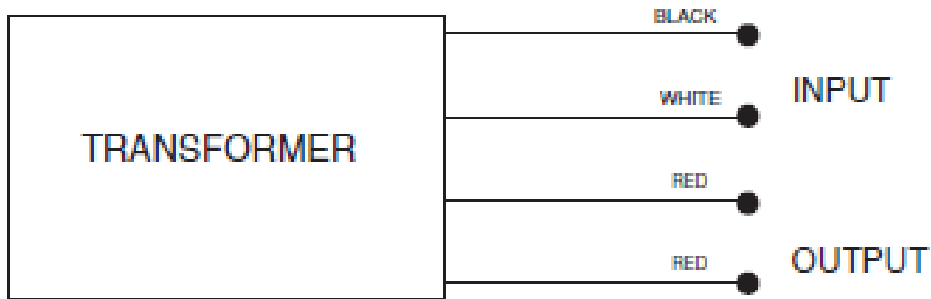
**Electronic Short-Circuit Protection:** BriteDriver® employs Electronic Short Circuit and over load Protection (ESP). The ESP sensing circuit will instantly shut down the output before any of the components are stressed if a short circuit or over load is detected. The Driver will automatically reset as soon as the fault is corrected.



### Dimensions:



### Wiring Diagram:



Green Lighting Technologies



US: 847-783-0123 (US)

Europe: +44 (0) 791 868 8473

[sales@lynklabs.com](mailto:sales@lynklabs.com)

[www.lynklabs.com](http://www.lynklabs.com)

### Sales Representative

