



BriteDriver® – BD60W-120V/12V

Data Sheet

BD60W-120V/12V

60W 12V AC-LED Driver

BriteDriver® technology is a patented AC-LED driver/power supply technology used to drive LEDs with AC at high frequencies. Based on the LED lighting application, a BriteDriver® driver may be an on-board or off-board driver or power supply.

In many cases, Lynk Labs AC-LED modules have on board drive solutions allowing for drop-in Plug n' Play into an existing AC power sources such as high voltage AC mains or existing low voltage AC lighting transformers .

BriteDriver® drivers are high efficiency power supplies that deliver more power output per watt in a significantly smaller package than any available DC LED power supply - and at lower cost.

With BriteDriver® power supplies, LED product integration is made easier by enabling product designers, architects or contractors to integrate a power supply as they have before with other lighting products.

Unlike constant current DC systems, BriteDriver® and Lynk Labs other AC LED products significantly increase product and system reliability since the modules cannot be over driven if one or more LEDs fail.

BriteDriver® Product Features:

- High Reliability
- Moisture Resistant
- Emits No Audible Noise
- Low Harmonic Distortion
- High Power Factor
- Lightweight, Compact Design
- Small Case Size
- Dimmable






Operating Characteristics:

BriteDriver®	
Drive Voltage	11.7 V AC (RMS)
Drive Frequency	44Khz inverter square wave, 100/120 Hz sinewave envelope
Max case temp	90 ° C
Minimum Starting Temp	-30° C
Sound rating	A +
Operating Humidity	95% relative humidity, non-condensating
Safety Listing	Class P Type 1 outdoor

Electrical/Mechanical Specifications:

Input	120VAC, 60 Hz	Output	11.7 ± 0.3 V AC 0.52 A 50/60 Hz
Enclosure Material	Aluminum	Weight	2.4 oz.
Power Factor	> 0.95	Operating Frequency	44 KHz
Total Harmonic Distortion	≤ 20%	Safety Standard	 CLASS 2
Input Leads	6", 18AWG stranded, (BLK/WHT) 105 ° C stripped 3/8" tinned	Output Leads	6", 18AWG stranded (RED) 105 degree C stripped 3/8" tinned

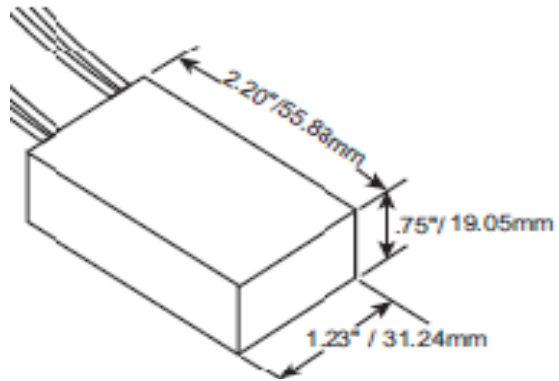
Important Product Attributes:

Dimmable: Compatible with many commercially available phase cut dimmers – including **Lutron Maestro (MAELV-600) Diva (DVELV-300P, Skylark (SELV-300P)**

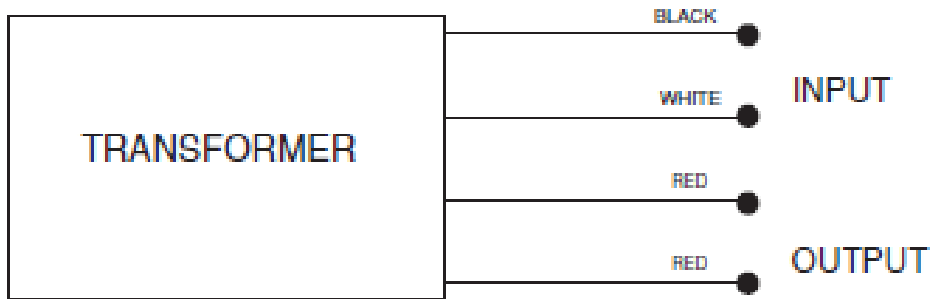
Electronic Short-Circuit Protection: BriteDriver® employs Electronic Short Circuit and over load Protection (ESP). The ESP sensing circuit will instantly shut down the output before any of the components are stressed if a short circuit or over load is detected. The Driver will automatically reset as soon as the fault is corrected.



Dimensions:



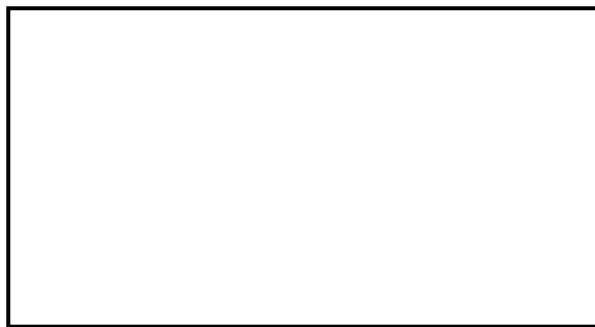
Wiring Diagram:



Green Lighting Technologies



Sales Representative



US: 847-783-0123 (US)

Europe: +44 (0) 791 868 8473

sales@lynklabs.com

www.lynklabs.com

